

REV B  
 SHEET 1  
 DWG NO. 10-A-MFA-XX

**SPECIFICATIONS:**

10 WATT BI-DIRECTIONAL COAXIAL ATTENUATOR

POWER RATING: 10 WATTS MAXIMUM @ 40°C.  
 12 WATTS MAXIMUM @ 25°C.

CONNECTORS: SMA MALE/FEMALE, PASSIVATED STAINLESS STEEL

FREQUENCY RANGE & VSWR: DC TO 1GHz AT 1.10:1 MAX.  
 1GHz TO 4GHz AT 1.25:1 MAX.

IMPEDANCE: 50 OHMS, NOMINAL

AMBIENT TEMPERATURE RANGE: -40°C TO +40°C

OPERATING POSITION: ANY

COOLANT: DRY (CONVECTION COOLED)

FINISH: BLACK ANODIZED COOLING FINS, SILVER OR TRI-ALLOY PLATED CONNECTORS

NOMINAL SIZE: 2.2"L X 2.3" DIA.

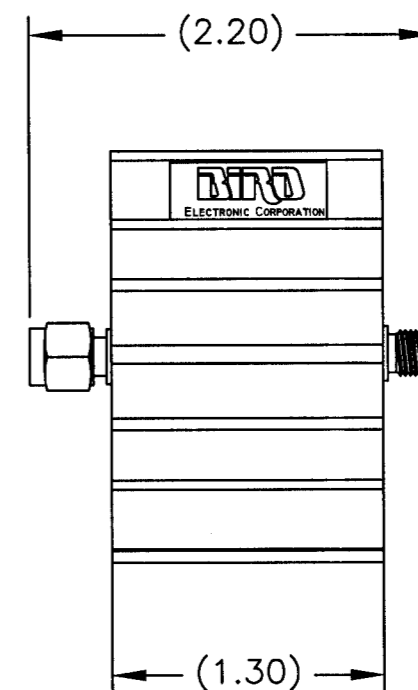
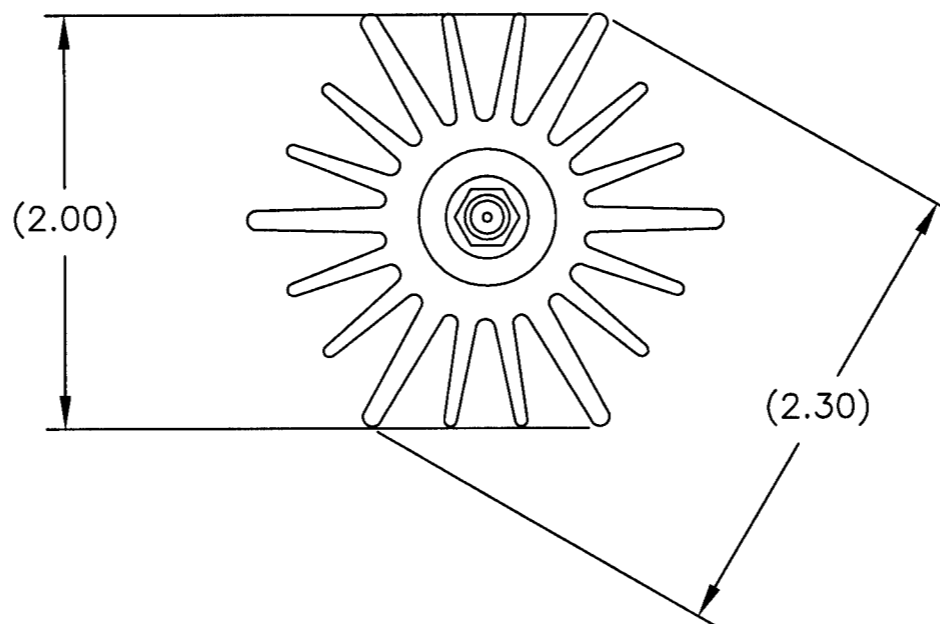
WEIGHT: APPROX. 5 OZ.

REVISIONS				
ZONE	REV	DESCRIPTION	DATE	APPROVED
	A	ECN #0185	12-22-97	<i>MEV</i>
	B	ECN #0246	2-3-00	<i>MEV</i>

**NOTE:**  
 FOR VALUES NOT LISTED, REFER TO THE NEXT HIGHER ATTENUATION LEVEL FOR SPECIFICATIONS. FOR ATTENUATION VALUES GREATER THAN THE HIGHEST LISTED ATTENUATION VALUE, REFER TO THE VALUE 1/2 THE DESIRED ATTENUATION LEVEL, THEN DOUBLE THE LISTED SPECIFICATION VALUES, UNLESS OTHERWISE SPECIFIED.

XX = DASH NUMBER (dB VALUE)

-30	30	±0.8 dB	±1.3 dB
-20	20	±0.5 dB	±1.0 dB
-10	10	±0.4 dB	±0.8 dB
-06	6	±0.4 dB	±0.6 dB
-03	3	±0.3 dB	±0.5 dB
-02	2	±0.3 dB	±0.5 dB
-01	1	±0.3 dB	±0.5 dB
DASH NO.	dB ATTEN.	DC - 1GHz ATTENUATOR	1 - 4GHz ACCURACY ±dB



UNLESS OTHERWISE SPECIFIED DIMENSIONS ARE IN INCHES TOLERANCES ARE:			MILLIMETERS
FRACTIONS	DECIMALS	ANGLES	.X = ±.4
± 1/64	.XX = ±.010	± 30'	.XX = ±.12
	.XXX = ±.005		
DO NOT SCALE DRAWING			
MATERIAL		APPROVALS	DATE
FINISH		CHECKED	
		APPROVED	
			AUTOCAD

THIS DRAWING IS THE PROPERTY OF THE BIRD ELECTRONIC CORPORATION. THE DESIGNS AND SPECIFICATIONS DISCLOSED HEREON ARE PROPRIETARY AND SHALL NOT BE REPRODUCED, NOR COPIED, NOR USED AS THE BASIS FOR THE MANUFACTURE OR SALE OF APPARATUS OR DEVICES WITHOUT THEIR EXPRESS WRITTEN CONSENT.



ATTENUATOR, SMA MALE/FEMALE, 10W	DATE	3-17-03	REV	B
DRAWN	D.M.RINK	DATE	3-17-03	
CHECKED		APPROVED	<i>MEV</i>	
APPROVED	<i>MEV</i>	DATE	3-19-03	
SCALE	1:1	COMM CODE	AT1	SHEET 1 OF 1
SIZE	B	FSCM NO.	70998	DWG. NO. 10-A-MFA-XX